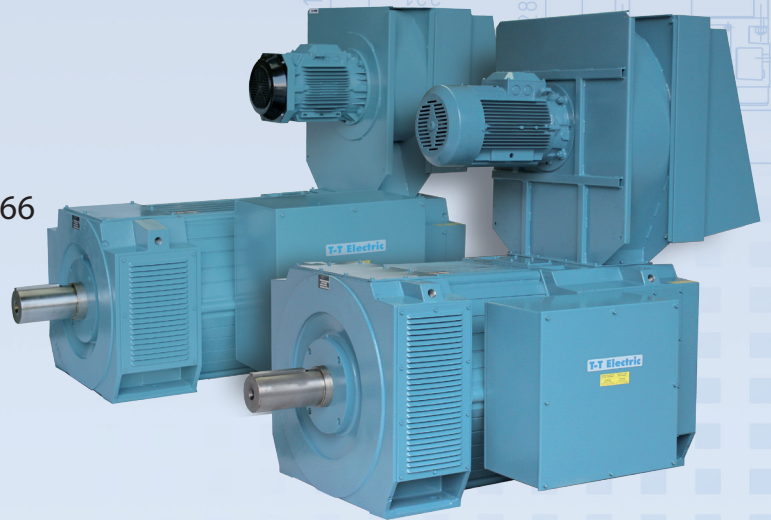


DC Motors

OUR NEW REDESIGNED LAK 6315 AND LAK 6400 Stronger performance : power / torque / speed

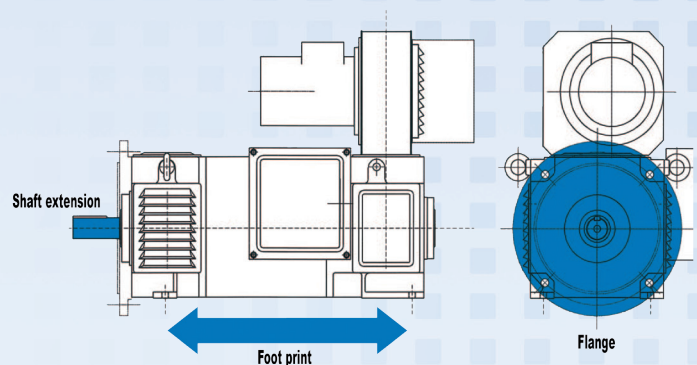
A full range of high quality DC motors

- 4 Standard lengths A, B, C, D
- Output from 160 to 1120 KW
- IEC, NEMA, CSA standards
- Degree of protection IP23 - IP55
- Cooling forms IC17 IC37 IC06 IC86W IC666
- All mountings and designs
- Wide range of accessories



Flexibility

- Drop in capability with many brands
- Tailor made lengths on request
- Adaptable foot print
- Adaptable flange size and design
- Special shaft extension
- Matching of electrical data



Short delivery time

- Stock motors
- Express manufacturing
- Standard delivery time 8 - 12 weeks



t-telectric.com

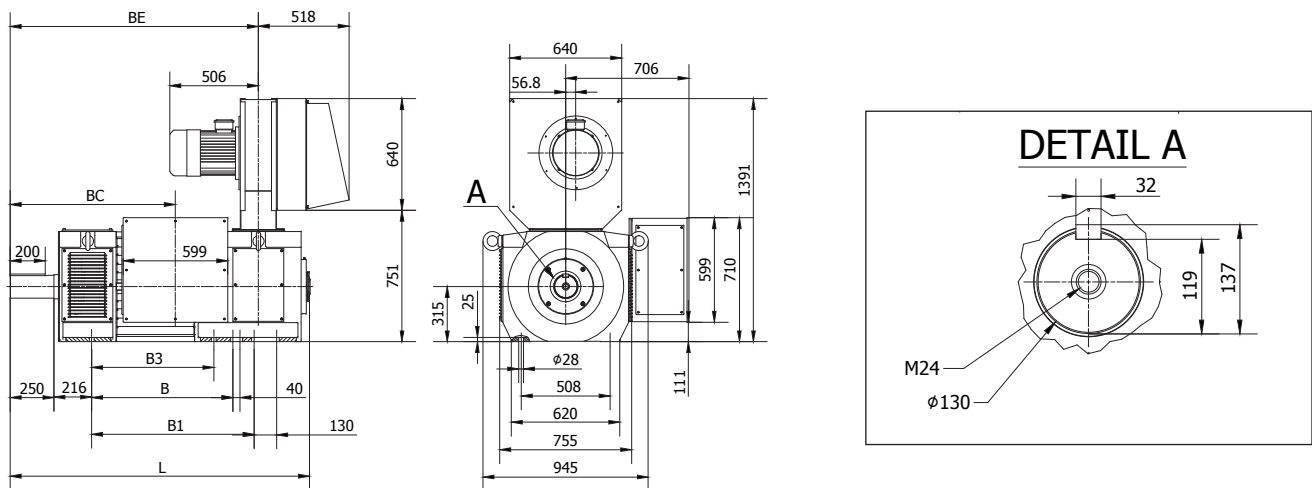
LAK 6315

Datasheet

Size	P (kW)	N1 (rpm)	T (Nm)	Un (V)	In (A)	N2 (rpm)	Nmax mec (rpm)	P field (W)	Bearings	Weight (kg)	I (kgm ²)
A	from 175	335	5000	400	530	850	2500	5500	6228	2060	14.5
	390	740	5030	420	1030	1800					
	600	1140	5030	520	1250	1900					
	to 750	1860	3850	600	1340	1950					
B	from 170	275	5910	400	530	675	2500	6200	6228	2250	17.5
	390	610	6100	420	1040	1500					
	600	950	6030	520	1250	1600					
	to 790	1550	4870	600	1400	1550					
C	from 170	230	7060	400	540	580	2500	7000	6228	2480	20.5
	390	510	7300	420	1050	1300					
	600	790	7250	520	1260	1350					
	to 800	1300	5880	600	1420	1300					
D	from 160	190	8050	400	530	500	2400	8000	6228	2740	24.0
	380	430	8440	420	1030	1100					
	600	670	8550	520	1270	1100					
	to 810	1100	7030	600	1440	1100					

Dimension drawing / Plan d'encombrement

IC06



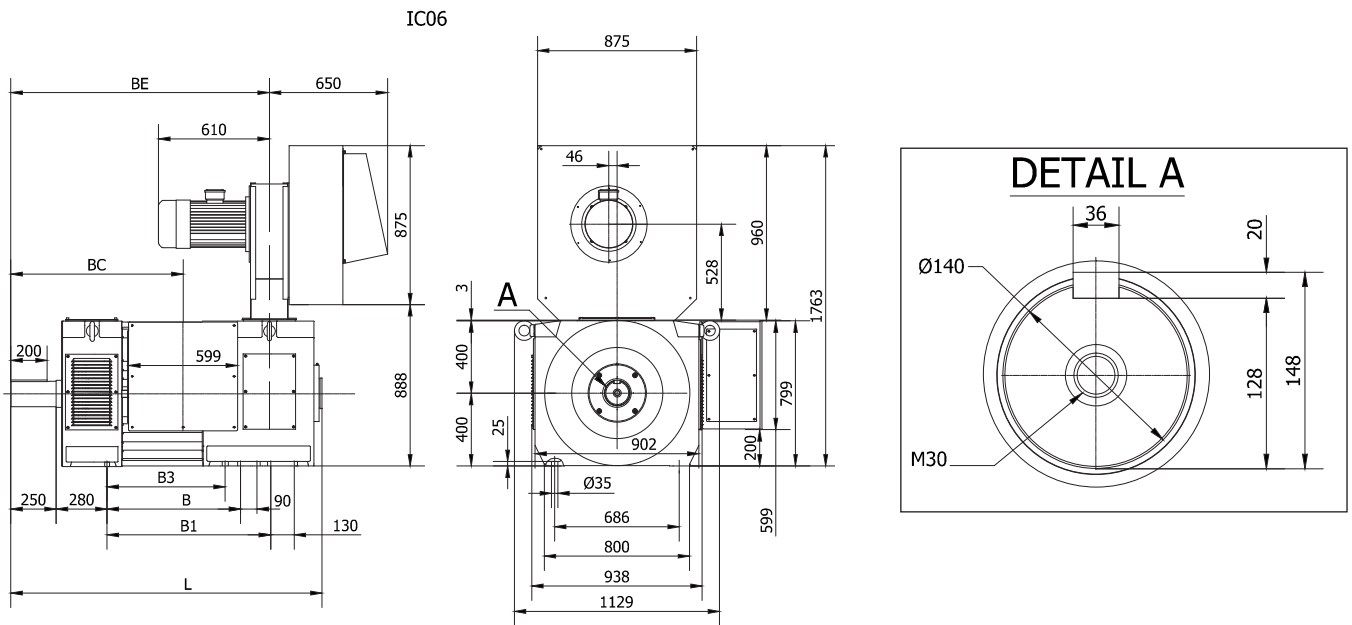
LAK 6315 dimensions in mm						
Type	B	BC	BE	B1	B3	L
LAK 6315 A	808	944	1419	928	698	1699
LAK 6315 B	898	1033	1509	1018	788	1789
LAK 6315 C	1000	1136	1611	1120	890	1891
LAK 6315 D	1113	1249	1724	1233	1003	2004

LAK 6400

Datasheet

Size	P (kW)	N1 (rpm)	T (Nm)	Un (V)	In (A)	N2 (rpm)	Nmax mec (rpm)	P field (W)	Bearings	Weight (kg)	I (kgm ²)
A	from 160	190	8040	400	530	850	2100	7200	6230	3100	36.0
	510	600	8120	440	1280	1600					
	820	1080	7250	520	1690	1600					
	to 1020	1450	6720	600	1800	1650					
B	from 150	160	8950	400	510	750	2100	8000	6230	3500	41.5
	500	490	9740	440	1270	1600					
	820	890	8800	520	1690	1600					
	to 1050	1200	8360	600	1860	1600					
C	from 145	130	10650	400	500	600	2100	9000	6230	3900	47.5
	490	410	11410	440	1250	1500					
	810	750	10320	520	1680	1400					
	to 1070	1000	10220	600	1900	1400					
D	from 140	110	12150	400	500	500	2100	10000	6230	4300	54.0
	470	350	12830	440	1210	1300					
	800	630	12130	520	1670	1200					
	to 1070	850	12020	600	1900	1150					

Dimension drawing / Plan d'encombrement



LAK 6400 dimensions in mm						
Type	B	BC	BE	B1	B3	L
LAK 6400 A	740	953	1426	864	650	1711
LAK 6400 B	830	1043	1516	954	740	1801
LAK 6400 C	932	1145	1618	1056	842	1903
LAK 6400 D	1045	1258	1731	1169	955	2016

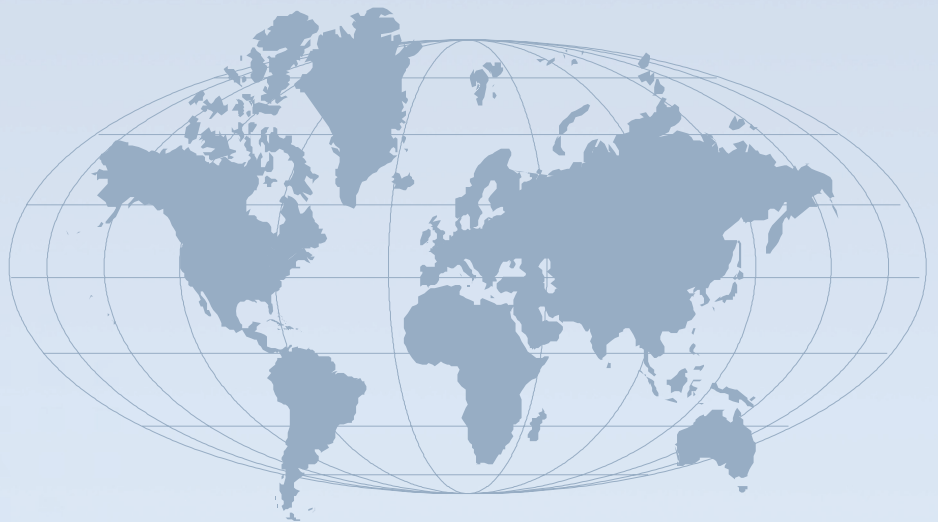
Founded over 100 years ago, T-T Electric is a world-class supplier of top-quality industrial electric motors and drives. Pioneers in the industry, we are an experienced and established manufacturer of a comprehensive and cost-effective range of highly reliable drive products. They are used around the world in the toughest of application environments and in all industrial segments.

Driven by customer demand, T-T Electric is continually researching product excellence and manufacturing

process perfection. The flexible product design ensures easy adaptations to customer requirements. This, combined with unequalled short delivery times, make T-T Electric a reference within industry. Our extensive support services include diagnostics and maintenance on site as well as full overhaul in our own repair facilities.

T-T Electric is committed to a working partnership with our customers. For mutual benefit, we focus on complete and innovative solutions together.

T-T Electric



iINDUSQUIP MARKETING CC
Tel: + 27 11 724 3600 I
Mobile: + 27 82 652 5001
E Mail: iqm@indusquip.co.za
Website: www.indusquip.co.za
Reg. CK 89/20225/23 I
Vat No. 4630102970
P O Box 17350, Sunward Park,
Gauteng, 1460, South Africa
No.28 Rail Road, Roodekop,
Germiston,
"WEM" ELECTRIC
MOTORS(SABS APPROVED)
HIGH EFFICIENCY IE1 & IE2
VARIABLE SPEED DRIVES I
"WEM"HV and MV Electric
Motors



t-telectric.com